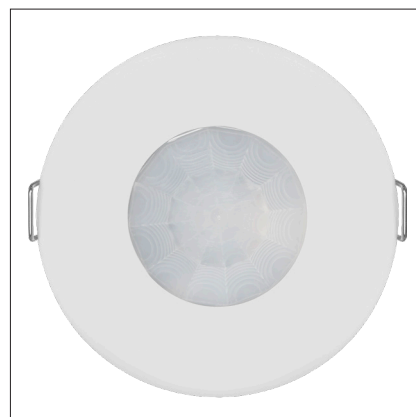


# Sensor CBU-PIRDALI-N



Designation	Sensor CBU-PIRDALI-N
E-number	13 014 90
Art. number	V-44B0306-031N
Max switched load	20mA (10 DALI-drivers)
Maximum switched load (relay function)	10A
Load Inrush rating	200A/300µs
Weight	200g
Rated current	10A
Terminal capacity	2,5mm <sup>2</sup>
Light detection range	1-999Lux
Transceiver frequency	2.4GHz ISM band
Transceiver power	Up to 4 dBm output power and -93 dBm RX sensitivity
Rated impulse voltage	2500V
Supply voltage AC	230VAC
Operational temperature	-20 to 35°C
Humidity	5 to 95% non-condensing
Material (casing)	Flame retardant ABS
Insulation class	2
IP rating	40
Compliance	CE
Supply frequency	50Hz



**Casambi wireless presence sensor equipped with light sensor and built-in DALI output (20mA) & relay output (10A) The sensor is IP40, but can also be used with PIRBOX to achieve IP65.**

**The sensor is excellent to use as a room solution where the sensor DALI dims ceiling luminaires and the relay output simultaneously controls sockets or ambient lighting. With presence and light sensor, energy-efficient lighting is ensured after each weather and which only lights up when someone is in the room. You can also switch to TW profile and get circadian lighting that follows the rise and set of the sun.**



#### Warning

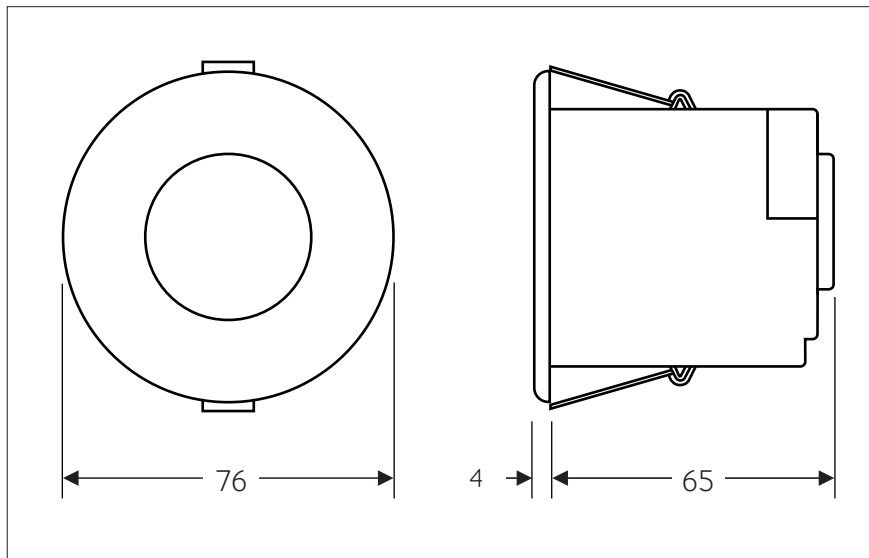
**This device should be installed by a qualified electrician in accordance with the latest edition of the IEE management rules.**



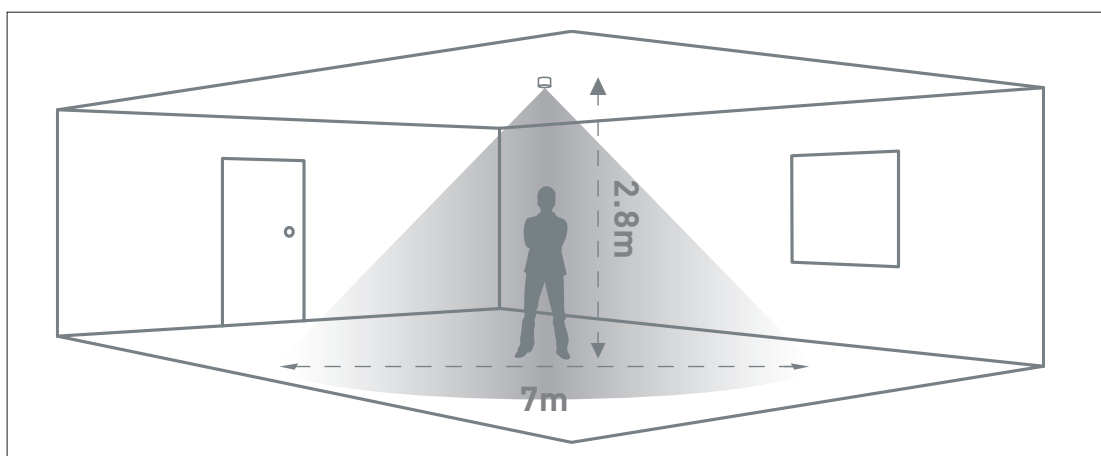
#### Valid sensor output settings:

DALI-output 1-100%	Relay output L': OFF	Works!
DALI-output 0%	Relay output L': OFF	Works!
DALI-output 1-100%	Relay output L': ON	Works!
<b>DALI-output 0%</b>	<b>Relay output L': ON</b>	<b>Does not work!</b>

## Dimensions (mm)



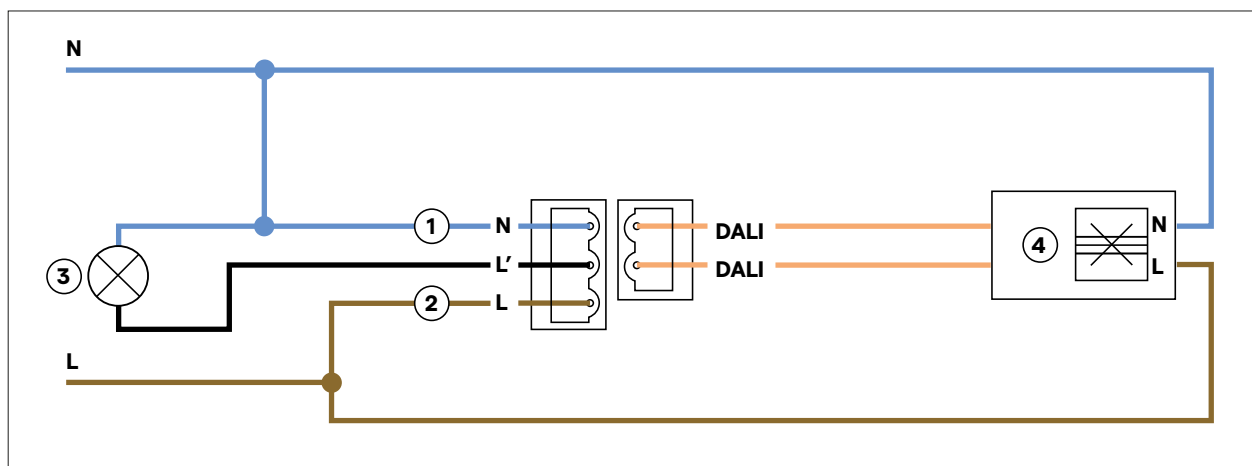
## Detection pattern (m)



## Wiring diagram

Use the relay output for non-dimmable loads and the dimmable output for DALI luminaires.

1. Neutral
2. Phase
3. On / Off load
4. DALI luminaire



## Profiles CBU PIRDALI-N

Profile name	Profile description	DALI device type	DALI Addressing	Relay output is affected by DALI output	Comments
EBDSPIR-CB-DD	Default mode	Type 0	Not any	Yes	The relay output is affected by DALI output values
EBDSPIR-CB-DD (@ on DALI only)	Automation control only affects the DALI output. The relay output is only controlled manually	Type 0	Not any	No	The relay output works independently and does not respond to dimming values at the DALI output
EBDSPIR-CB-DD DT8 W-C	DALI type 8 master dim (Warm < > Cold)	Type 8	0: Warm white 1: Cold white	Yes	Preset "dim to warm" - feature. Warm with a little light and cold at very light
EBDSPIR-CB-DD DT8 TW	DALI type 8 master dim, (Warm < > Cold)	Type 8	0: Warm white 1: Cold white	Yes	Adjust dimming level and light temperature separately
EBDSPIR-CB-DD DT8 RGB	DALI type 8 master dim, color, saturation + color chart	Type 8	0: Red 1: Green 2: Blue	Yes	Color can be defined with both saturation and color chart
EBDSPIR-CB-DD DT6 TW	Master dim, (Warm < > Cold)	Type 6	0: Warm white 1: Cold white	Yes	Adjust dimming level and light temperature separately
EBDSPIR-CB-DD DT6 RGB	DALI type 6 RGB & master dim	Type 6	0: Red 1: Green 2: Blue	Yes	Color can be defined with both saturation and color chart
EBDSPIR-CB-DD DALI 2 ch	DALI 2-channel dimming, 2 sliders	Type 6	0: Channel 1 1: Channel 2	Yes	Automatically assigns addresses. See to use the same number of devices that the profile is intended for (2 pcs)
EBDSPIR-CB-DD DALI 3 ch	DALI 3-channel dimming, 3 sliders	Type 6	0: Channel 1 1: Channel 2 2: Channel 3	Yes	Automatically assigns addresses. See to use the same number of devices that the profile is intended for (3 pcs)
EBDSPIR-CB-DD DALI 4 ch	DALI 4-channel dimming, 4 sliders	Type 6	0: Channel 1 1: Channel 2 2: Channel 3 3: Channel 4	Yes	Automatically assigns addresses. See to use the same number of devices that the profile is intended for (4 pcs)

## Sensor Configuration

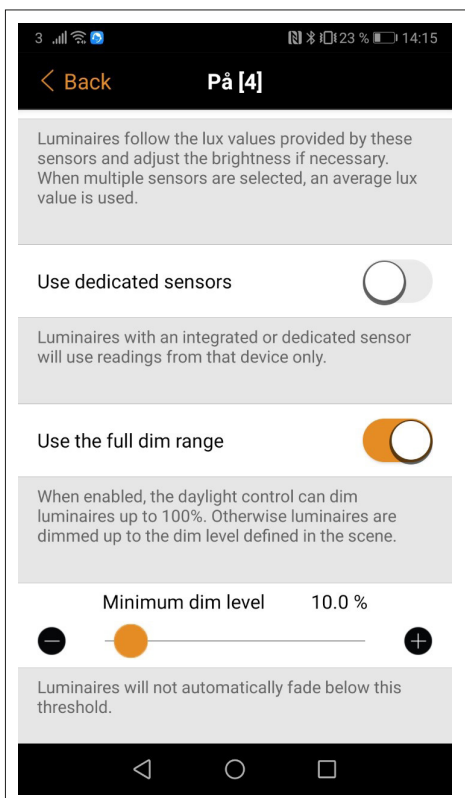
Configure the sensor control via the Casambi App from the Apple App Store or Google Play.

For configuration of light control, make sure that the setting below is made.

Allow a few minutes to take effect:

2. (Use the entire fog range) = activates.

The communication distance between two Casambi units depends on the environment and obstacles, e.g. walls and building materials. Range is 15m indoors and 30m outdoors. In most cases, the Casambi-units are 5-6 meters apart.



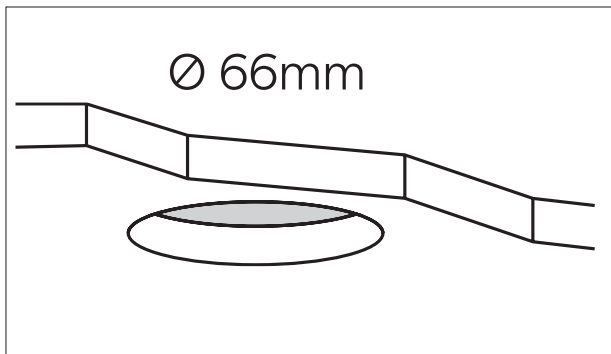
## Installation

This unit is designed to be mounted in the ceiling.

- Do not place the unit where direct sunlight can access the sensor.
- Do not place the sensor within 1 meter of lighting, forced air heating or ventilation.
- Do not attach the sensor to an unstable or vibrating surface.
- Movement is best detected when the ambient temperature differs from the human body temperature, therefore use within -20 to 35°C for ambient temperature.

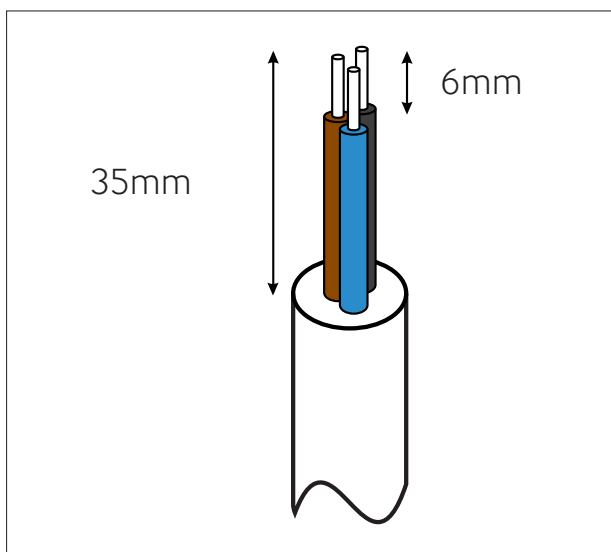
## Rekommendations for piercing

Cut a hole with a diameter of 66mm in the ceiling.



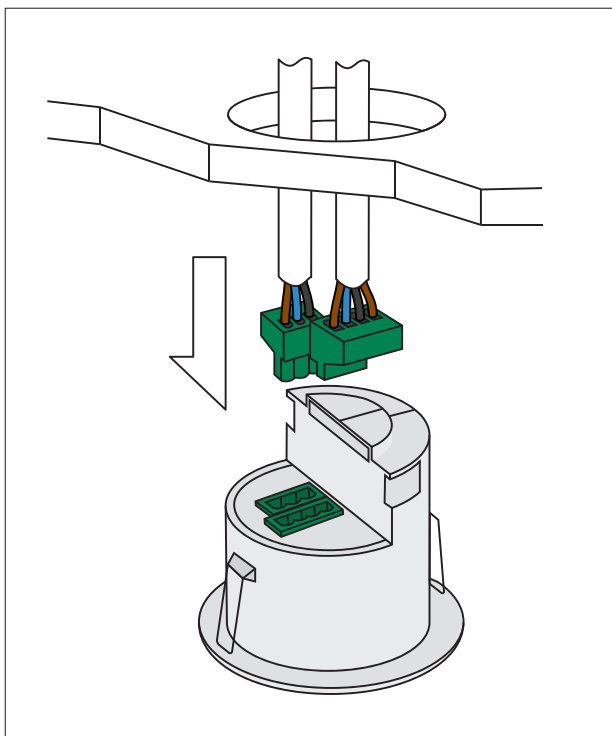
## Rekommendations for cable scaling

Peel the wires according to the instructions in the picture. Presence detector does not require an earth conductor.



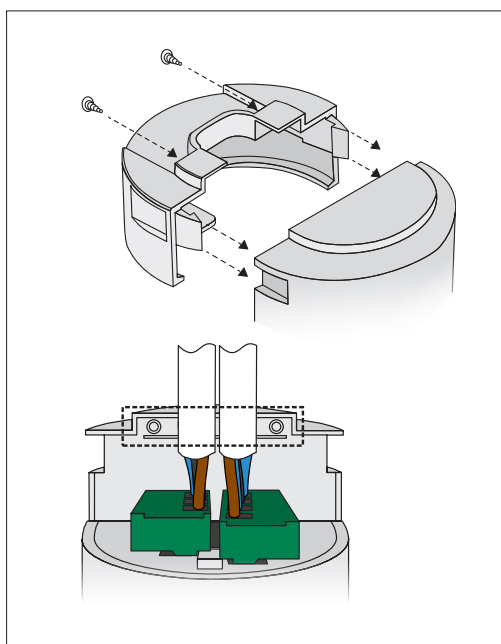
## Wire in plugs & connect to detector

Connect the connectors using the wiring diagram on page 3 for guidance.  
Connect the connectors to the detector.



## Clamp cable

Continue tightening the screws until the clamp bar snaps out and is tightly engaged against the cable/s. The cable clamp must clamp the outer sheath only.



# Sensor CBU-PIRDALI-N



## Install the sensor

Bend the springs up and push detector through hole in ceiling. When fully inserted the springs snap back to hold the device in place.  
To avoid injury, take care when bending springs.

