

basicDIM Wireless Sensor 5DP 38rc
Casambi Ready wireless sensor



Product description

- _ Can be integrated in Casambi systems (Casambi Ready)
- _ Ambient light dependent control and presence detection
- _ Wireless controllable with an Android / iOS smart device
- _ Forms automatically a wireless communication network with up to 250 nodes
- _ Power supply via mains
- _ Mounting variants for suspended ceilings and solid ceilings available
- _ Passive Infrared sensor technology
- _ Shutters included to optimize sensor detection
- _ 5 years guarantee (conditions at <https://www.tridonic.com/manufacture-guarantee-conditions>)

Website

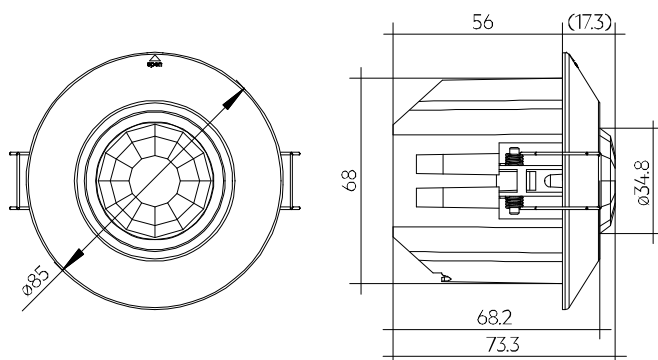
<http://www.tridonic.com/28002801>



basicDIM Wireless Sensor 5DP 38rc

Casambi Ready wireless sensor

The complete data sheet for this product is available in the Downloads section.



Ordering data

Type	Article number	Dimensions L x W x H	Packaging, carton	Weight per pc.
basicDIM Wireless Sensor 5DP 38rc	28002801	85 x 85 x 73.3 mm	24 pc(s).	0.09 kg

Technical data

Rated supply voltage	220 – 240 V
Mains frequency	50 / 60 Hz
Typ. power consumption	0.17 W
Max. power consumption	< 0.5 W
Typ. power consumption on stand-by	0.15 W
Mounting height	max. 4 m
Detection range, mounted at height of 3 m	ø 8 m
Detection angle	53°
Light measurement at sensor head	1 – 2,000 lx (± 20 %)
Radio transceiver operating frequencies	2.4 – 2.483 GHz
Max. output power radio transceiver (E.I.R.P.) ^①	< + 20 dBm
Ambient temperature ta	0 ... +50 °C
Storage temperature ts	-40 ... +85 °C
Type of protection	IP20
Guarantee (conditions at www.tridonic.com)	5 Year(s)

Approval marks



Standards

EN 60669-1, EN 60669-2-1, EN 55015, EN 61547, EN 61000-3-2, EN 61000-3-3, EN 300 328, EN 301 489-1, EN 301 489-17, EN 62479, EN 62493, AS/NZ 4268, FCC PART 15, UL 773A

① E.I.R.P.: Equivalent Isotropically Radiated Power.