



DE1781-

English

BR-1, BR-2, BR-3

Swivel Mounting Brackets for PIR Detectors

Installation Instructions

1. INTRODUCTION

The **BR-1**, **BR-2** and **BR-3** are universal swivel mounting brackets which accommodate most of the PIR detectors produced by the manufacturer.

The **BR-1**, which is designed for surface mounting, is adjustable 30° down as well as 45° left and 45° right. It is attached to the wall with two long mounting screws and two plastic wall anchors.

The **BR-2** is a kit that consists of the surface-mounted bracket BR-1 and a corner mounting adapter. The corner adapter is designed to accept the back plate of the BR-1 as if it were installed on a straight wall.

The **BR-3** is a kit that consists of the surface-mounted bracket BR-1 and a ceiling mount adapter. The ceiling adapter is designed to accept the back plate of the BR-1 as if it were installed on a straight wall.

Two short screws serve for securing the back plate of the BR-1 to the corner or ceiling adapter, respectively. Two long mounting screws with two plastic wall anchors are provided for attaching the adapters to the wall or to the ceiling.

2. SPECIFICATIONS

Adjustment: Vertical - 0° to 30° downward; horizontal - 45° right, 45° left

Note: A PIR detector mounted with the BR-2 is horizontally adjustable as far as the adjacent walls will allow - depending on the size of the PIR).

Size (H x W x D):

BR-1: 50 x 38 x 28 mm (2 x 1.5 x 1.1 in.).

BR-2: 54 x 52 x 42 mm (2-1/8 x 2-1/16 x 1-5/8 in.)

BR-3: 110 x 51 x 76 mm (4-5/16 x 2 x 3 in.)

Weight:

BR-1: 30 g (1 oz).

BR-2: 42 g (1-1/2 oz)

BR-3: 62 g (2-1/4 oz)

Color:

BR-1 White

BR-2 and BR-3: Off white

3. INSTALLATION

3.1 Installing the BR-1 (Figures 1 & 2)

1. Disassemble the bracket by releasing the locking screw (6).
2. Position the backplate (1) on the wall in the desired location. Using the backplate, mark the two screw holes to be drilled.
3. Drill the two holes where marked and securely fix the backplate to the wall with the furnished pan-head screws and anchors. Be careful to position the ribs (3) upward.
4. If required, center the backplate ball (11). With your fingers, insert the locking screw (6) into the backplate ball and shift the ball until the hole faces exactly forward. Remove the screw.
5. Open the PIR detector and remove the PC board by releasing its locking screw. Be careful not to touch the pyro detector.
6. Punch out the screw hole knockout (5) in the PIR's back (7).
7. Hold the PIR's back with the top side facing up. Insert the front plate mounting standoffs (8) into the holes in the PIR back.
8. Mount the pivot (4) onto the front plate, taking care to position the large curve (10) downward.
9. Insert the locking screw (6) into the hole in the PIR's back (7), through the front plate (9) and pivot (4), and into the backplate ball (11). Turn the screw down **but do not yet secure it tightly**.
10. Adjust the PIR backplate to the desired position (left, right or down) and tighten the locking screw **very strongly** with a screwdriver.
11. Reinstall the PC board and set the vertical adjustment scale to 0°. If required, further vertical adjustment can be done by sliding the PC board up or down.
12. Reassemble the PIR and walk test in accordance with the installation instructions (see figure 2).

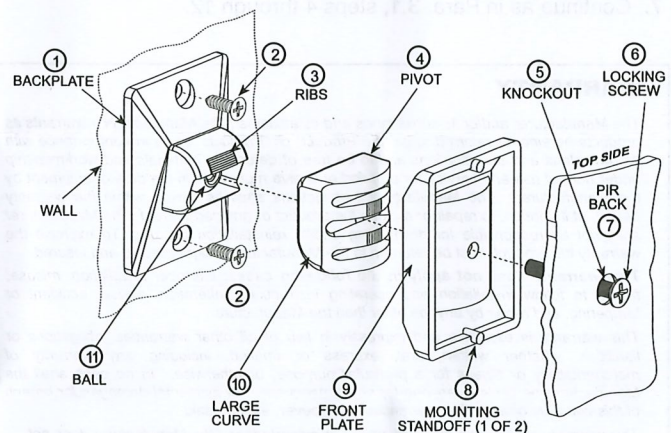


Figure 1. BR-1 - Construction and Assembly

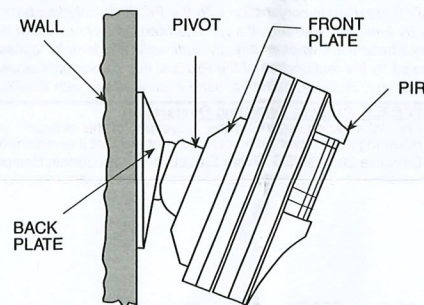


Figure 2. PIR and Adjustable Bracket Installed

3.2 Installing the BR-2 (Figure 3)

1. Push the corner adapter (13) into the corner as far as it will go, until its angled sides are tight against both walls. Insert a pencil through two diagonally opposite holes and mark the points to be drilled on the wall.
2. Drill 2 holes where marked, insert the plastic wall plugs and secure the corner adapter to the wall using two long pan-head screws.
3. Disassemble the swivel bracket by removing the single locking screw (6) in its middle. Put all parts aside except for the backplate (1).
4. Fit the backplate into the corner adapter, taking care to position it with the ribs (3) upward. Secure the backplate to the corner adapter with the two short conical-head screws (2).
5. Continue as in Para. 3.1, steps 4 through 12.

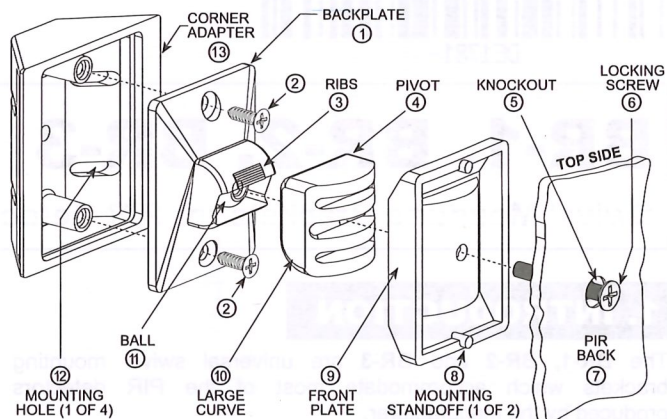


Figure 3. BR-2 - Construction and Assembly

3.3 Installing the BR-3 (Figure 4)

1. Press the ceiling mount against the ceiling. Insert a pencil through the two mounting holes and mark the points to be drilled on the ceiling.
2. Drill 2 holes where marked, insert the plastic wall plugs and secure the ceiling mount to the ceiling using two long pan-head screws.

Note: In tiled acoustic ceilings, use toggle bolts instead.

3. If the wiring is routed along the ceiling, pierce the top wiring knockout (16).
4. To run wires down through the body of the ceiling mount, pass them via the upper and lower feedthrough holes – (17) and (19) – into the cavity (13), and then out through the bottom knockouts (12).

Note: The wires can be routed down via the upper feedthrough (17) and then brought outside via the midway knockout (18) at the rear of the ceiling mount.

5. Disassemble the swivel bracket by removing the locking screw (6). Put all parts aside except for the backplate (1).
6. Fit the backplate onto the ceiling mount's cavity (13), taking care to position it with the ribs (3) upward. Secure the backplate to the corner adapter ceiling mount with the two short conical-head screws (2).
7. Continue as in Para. 3.1, steps 4 through 12.

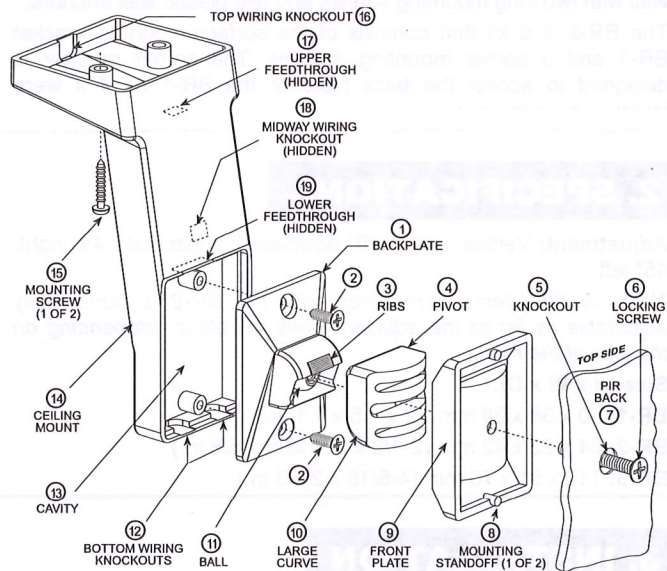


Figure 4. BR-3 - Construction and Assembly

WARRANTY

The Manufacturer and/or its subsidiaries and its affiliates ("the Manufacturer") warrants its products hereinafter referred to as "the Product" or "Products" to be in conformance with its own plans and specifications and to be free of defects in materials and workmanship under normal use and service for a period of twelve months from the date of shipment by the Manufacturer. The Manufacturer's obligations shall be limited within the warranty period, at its option, to repair or replace the product or any part thereof. The Manufacturer shall not be responsible for dismantling and/or reinstallation charges. To exercise the warranty the product must be returned to the Manufacturer freight prepaid and insured.

This warranty does not apply in the following cases: improper installation, misuse, failure to follow installation and operating instructions, alteration, abuse, accident or tampering, and repair by anyone other than the Manufacturer.

This warranty is exclusive and expressly in lieu of all other warranties, obligations or liabilities, whether written, oral, express or implied, including any warranty of merchantability or fitness for a particular purpose, or otherwise. In no case shall the Manufacturer be liable to anyone for any consequential or incidental damages for breach of this warranty or any other warranties whatsoever, as aforesaid.

This warranty shall not be modified, varied or extended, and the Manufacturer does not authorize any person to act on its behalf in the modification, variation or extension of this warranty. This warranty shall apply to the Product only. All products, accessories or attachments of others used in conjunction with the Product, including batteries, shall be covered solely by their own warranty, if any. The Manufacturer shall not be liable for any damage or loss whatsoever, whether directly, indirectly, incidentally, consequentially or otherwise, caused by the malfunction of the Product due to products, accessories, or attachments of others, including batteries, used in conjunction with the Products.

The Manufacturer does not represent that its Product may not be compromised and/or circumvented, or that the Product will prevent any death, personal and/or bodily injury and/or damage to property resulting from burglary, robbery, fire or otherwise, or that the Product will in all cases provide adequate warning or protection. User understands that a properly installed and maintained alarm may only reduce the risk of events such as burglary, robbery, and fire without warning, but it is not insurance or a guarantee that such will not occur or that there will be no death, personal damage and/or damage to property as a result.

The Manufacturer shall have no liability for any death, personal and/or bodily injury and/or damage to property or other loss whether direct, indirect, incidental, consequential or otherwise, based on a claim that the Product failed to function. However, if the Manufacturer is held liable, whether directly or indirectly, for any loss or damage arising under this limited warranty or otherwise, regardless of cause or origin, the Manufacturer's maximum liability shall not in any case exceed the purchase price of the Product, which shall be fixed as liquidated damages and not as a penalty, and shall be the complete and exclusive remedy against the Manufacturer.

Warning: The user should follow the installation and operation instructions and among other things test the Product and the whole system at least once a week. For various reasons, including, but not limited to, changes in environmental conditions, electric or electronic disruptions and tampering, the Product may not perform as expected. The user is advised to take all necessary precautions for his /her safety and the protection of his/her property.

6/91



W.E.E. Product Recycling Declaration

For information regarding the recycling of this product you must contact the company from which you originally purchased it. If you are discarding this product and not returning it for repair then you must ensure that it is returned as identified by your supplier. **This product is not to be thrown away with everyday waste.**
Directive 2002/96/EC Waste Electrical and Electronic Equipment.

