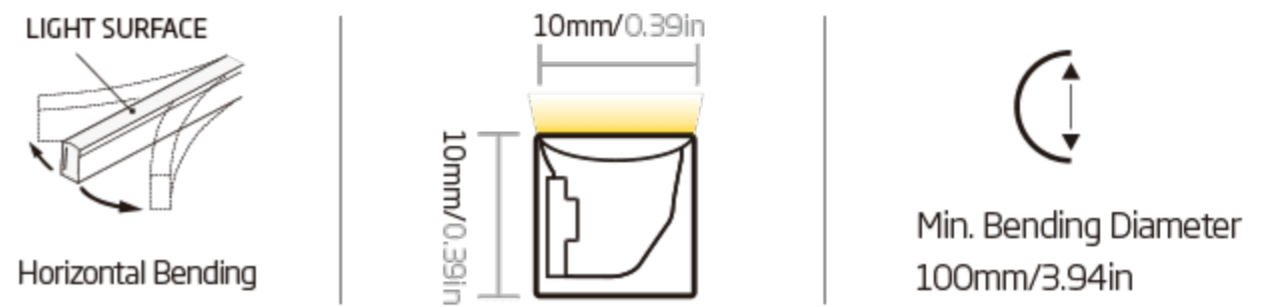




## Flexglo™ F23 Horizontal Bending (Silicone)



ClearTech™ TwinFlex™ C-Mask™ PinBoost™ V-Optic™

5 year Warranty	ANSI C78.377	3 SDCM	55 °C / -40 °C Ambient Working Temperature	Anti yellowing	Mini
-----------------	--------------	--------	--	----------------	------

Working Temp. -40~55°C / -40~131°F

Storage Temp. -40 ~ 60°C / -40~140°F

Voltage 24CV

Min. Cutting Length 83.30mm

Abmient Installation Temp. -40 ~ 50°C / -40~122°F

Max. Mounting Surface Temp. 85°C / 185°F

Power/m 4.50

Max. Running Length 15.00m

## Optical Parameters

Item Code	Finished Product						
	Color/CCT	Wavelength/CCT Tolerance	Color Tolerance	CRI	R9	Lumen/m	Lumen/ft
C-SFR-F23B-HB-24CV-A-WM-144-4.5W-83.3	Amber	588-594nm	N/A	N/A	N/A	50.00	15.24

## Connector Type

IP67 Silicone Injection-moulded Connector

Front Connector End	Front Connector Side from Left	Front Connector Side from Right	Front Connector Bottom	Seamless Middle Connector & Power Feed	Middle Connector & Power T-feed	Jumper	End Cap
F23B-HB-SIM/FC-01/02-E-0.3m/1m/3m/5m/10m/15m/20m 22AWG*2	F23B-HB-SIM/FC-02-SL-0.3m/1m/3m/5m/10m/15m/20m 22AWG*2	F23B-HB-SIM/FC-01-SR-0.3m/1m/3m/5m/10m/15m/20m 22AWG*2	F23B-HB-SIM/FC-01/02-B-0.3m/1m/3m/5m/10m/15m/20m 22AWG*2	N/A	F23B-HB-SIM/MC-PTF-0.3m/1m/3m 22AWG*2	F23B-HB-SIM/JU-0.3m/1m 22AWG*2	F23-SIM/EC

## Mounting Profile



Serrated Aluminum Profile  
F23-SA/PL-20/500/1000/2000mm

