

SafeGlo™

Ex LED

Flex Linear Light

Zone 1/2 ☆

Zone 21/22 ☆

MINING ☆



CLEAR
www.clearlighting.com

Engineered for Explosive and Hazardous Environment



IP67 Protection



1000 lm/m



>50000h Lifespan



Ambient Working Temperature



Running Length



5 Year Warranty

ATEX Cert No. TUV IT 19 ATEX 086X
IECEX Cert No. TPS 19.0047X

xGlo

CLEAR's global exclusive partner for mining industry and distributor for listed oil & gas companies.



- T1
- T2
- T3
- T4
- T5
- T6

Overview

Safeglo™ Ex LED Flexible Strip Light is fully encapsulated by silicone. The silicone extruded housing insulates the light from any external ignition sources. Small as it might be, the flexible LED light easily copes with various complex environments when combined with purpose-built accessories. The explosion-proof light fixture distributes consistent and continuous light, ensuring a safe and well-lit environment.

Packing 20 rigorous safety tests and certifications under the belt, the light strip is built for indoor and outdoor hazardous environments across petroleum, chemical, mining, and other industries.



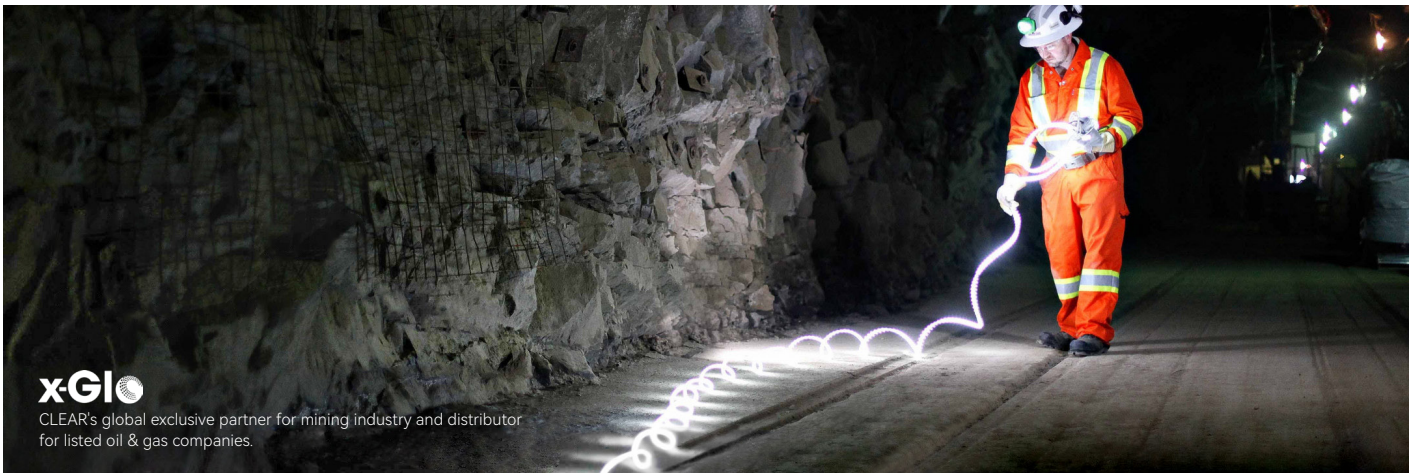
Features

☆ Flexibility

Able to attach to a wall or beam, or fit neatly in recesses or suspension.

☆ Durability

The silicone housing can withstand more than 100kg tensile force without breaking.



☆ 30m-Running Nonstop Length

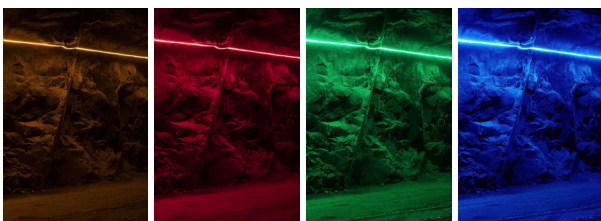
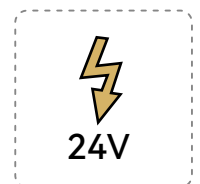
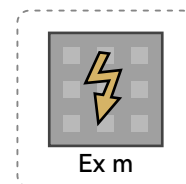
Ideal for long-range scenarios including tunnels and coal mines.

☆ Efficacy & Efficiency

Built-in LED light source boasts a luminous efficiency up to 83lm/W and a lifespan up to 50,000 hours.

☆ Inherent Safety

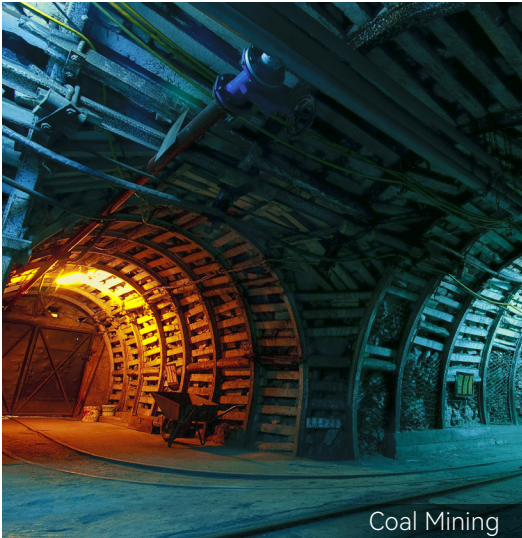
Silicone encapsulation isolates explosive gases and dust and minimize explosion risks; 24V low-voltage reduces risks of serious electric shock and ensures safety for outdoor lighting installations.



☆ RGB Color Options

Multiple color options are available including white, red, green, blue, amber or RGB colors. The light can double as a signal light, allowing mining workers to implement safety monitoring and instant warning.

Industries

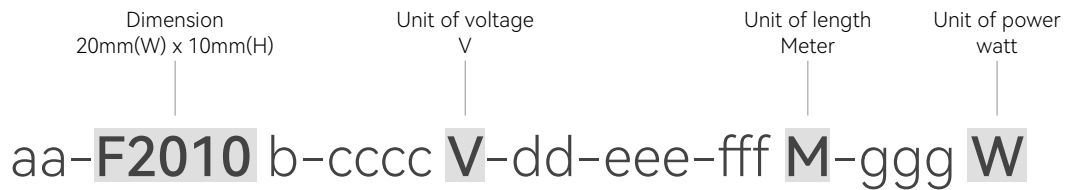


Applicable Environments



- **I M2 Ex ma op is I Mb;**
(Group I methane/carbon dust, M2 - operation where there is a risk of explosion occasionally, Ex ma - very high level of protection encapsulation)
- **I M2 Ex mb op is I Mb;**
(Group I methane/carbon dust, M2 - operation where there is a risk of explosion occasionally, Ex mb - high level of protection encapsulation)
- **II 2G Ex mb op is IIC T6 Gb;**
(Group II gases, 2G - Zone 1,2, Ex mb - high level of protection encapsulation, Gas group IIC hydrogen)
- **II 2D Ex mb op is IIIC T80°C Db;**
(Group II - dusts, 2D - Zone 21,22, Ex mb - high level of protection via encapsulation, Dust group IIIC - combustible metal dust)

Naming Convention

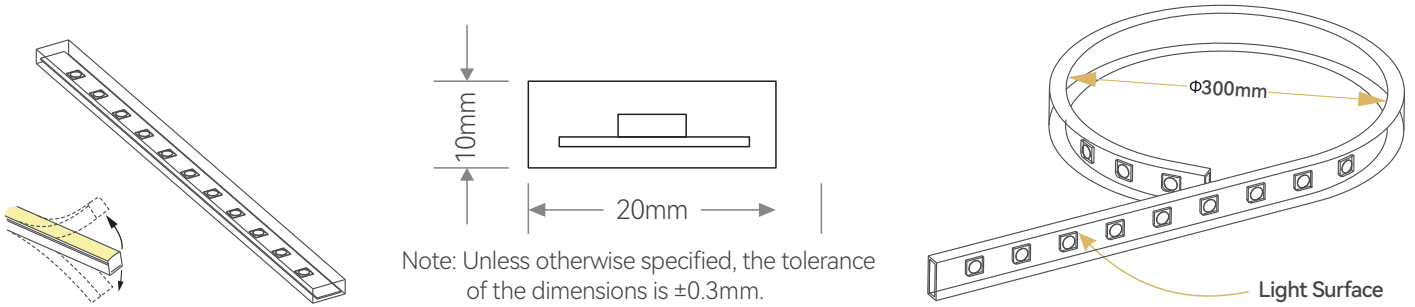


Remark: a, b, c, d, e, f and g are variables.

Example **ma-F2010B-AC36V-66-6500K-15M-180W**

aa	b	cccc	dd	eee	fff	ggg
Level of protection	Typical light output model	Input voltage	LED numbers per meter	Light color	Length of light	Power of light
ma	B= Monochrome Light S= Pixel Light	DC48 DC36 AC48 AC36 AC24	84/56/28 88/66/44/22 84/56/28 88/66/44/22 84/70/56/42	6500K Red Green Amber	The length is variable and minimum step is 0.5m	The power is variable and correspond to light length

Dimensions



Note: Unless otherwise specified, the tolerance of the dimensions is $\pm 0.3\text{mm}$.

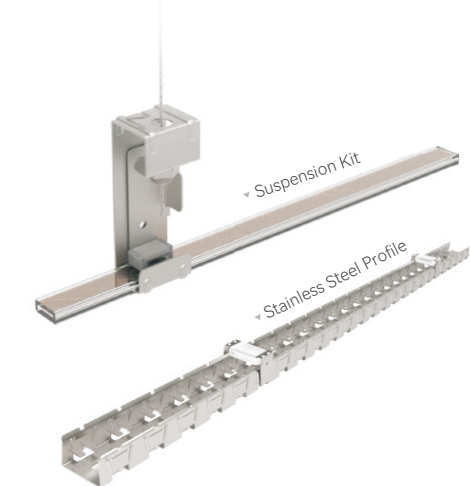
Basic Parameters

Manufacturer Part No.	LED QTY/m	Lumen/m	Rated power/m	Other LED QTY options	Color
C-EXFR- (Pro) F2010B-XX-YY-AC48V	84	>900lm	12w	56, 28	6500K, Red, Green, Amber
C-EXFR- (Pro) F2010B-XX-YY-DC48V	84	>1000lm	12w	56, 28	6500K, Red, Green, Amber
C-EXFR- (Pro) F2010B-XX-YY-AC36V	88	>900lm	12w	66, 44, 22	6500K, Red, Green, Amber
C-EXFR- (Pro) F2010B-XX-YY-DC36V	88	>1000lm	12w	66, 44, 22	6500K, Red, Green, Amber
C-EXFR- (Pro) F2010B-XX-YY-AC24V	84	>900lm	12w	56, 28	6500K, Red, Green, Amber
C-EXFR- (Pro) F2010B-XX-YY-DC24V	84	>1000lm	12w	56, 28	6500K, Red, Green, Amber
C-EXFR- (Pro) F2010S-XX-DC24v	42		3w	28, 14	R/G/A/RG/RGA

xx refers to color, yy refers to LED QTY/m

Injection-Moulded Connector

The liquid silicone injection-moulded integrated connector is watertight and IP67 rated, ensuring durable outdoor use without causing the casing to crack and eliminating short circuit risks caused by water ingress.



Mounting Profile

Suspension Kit

- ☆ Easy to assembly and disassembly
- ☆ Able to hold the object in place and withstand vibration
- ☆ Rust-resistant stainless steel
- ☆ Adjustable height
- ☆ The hollow design under the light does not affect the light output.

Stainless Steel Profile

- ☆ Quick Setup
- ☆ Highly adaptable to any mount surface or environment
- ☆ The strap and clip design helps secure the lighting fixture in place without sacrificing the light out.